



# SUA-110E14Ax-x-S235

Shell Material :

Blank : Brass

I : SPCC

Color :

White : W

Black : B

## SPECIFICATIONS

### Electrical:

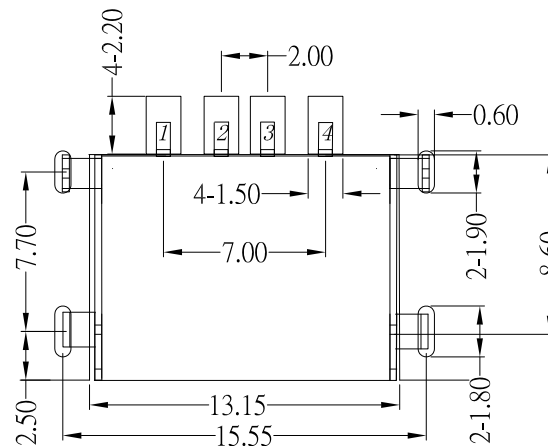
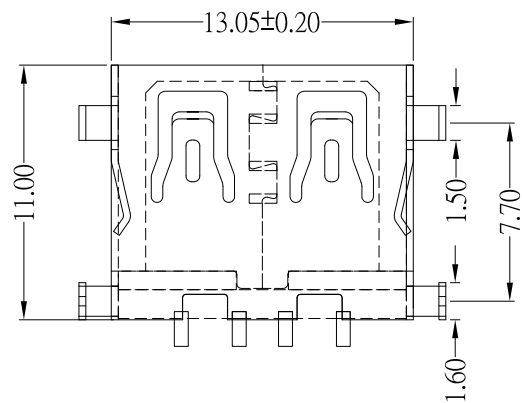
- 1.Voltage Current Rating: 1.5 A , 30V DC
- 2.Contact Resistance: 30 mΩ Max
- 3.Insulation Resistance: 1,000 MΩ Min
- 4.Dielectric Withstanding Voltage: 500 V AC
- 5.Mating Force: 3.57 Kg Max
- 6.Umating Force: 1.02 Kg Min

### Material:

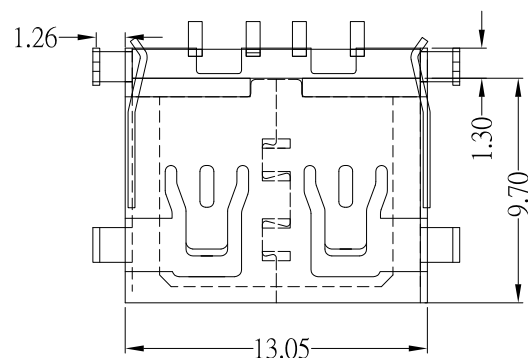
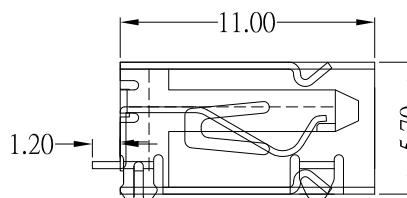
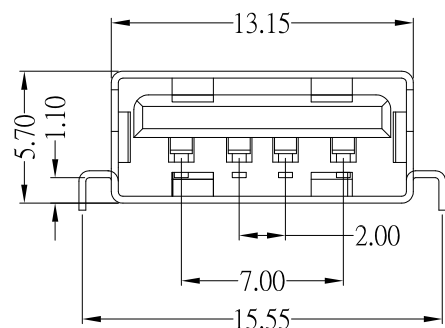
- 1.Housing: PBT
- 2.Contact: Brass
- 3.Shell: Brass / Spcc

### Finish:

- 1.Contact: Plated Gold in Mating Area ;  
Tin Plated on Solder Balls ;  
Nickel under plated overall
- 2.Shell: Nickel under Plated surface layer



### RECOMMEND P. C. B LAYOUT COMPONENT



TOLERANCE UNLESS OTHERWISE STATED :

Up to 5 ±0.2  
Above 5 ~ 15 ±0.3  
Above 15 ~ 30 ±0.4  
Above 30 ~ 50 ±0.5  
Angle ±0.3°

3RD. ANGEL'S



UNITS

MM

DRAWN BY: Jack Lu  
CHECKED BY: Jacky Chen  
APPROVED BY: Tony Kao

DATE: 05/07/19  
DATE: 05/07/19  
DATE: 05/07/19

MATL		TITLE	CONNECTOR
FINISH		MODLE	USB AF SMT 無捲邊 沉板 H4.60mm
SCALE	1 : 1	DWG NO.	SUA-110E14Ax-x-S235
SHEET NO.	1 of 1	PART NO.	SUA-110E14Ax-x-S235

2	更新樣式	Jack	050719
1	更新PCB LAYOUT	Jack	072618
ITEM NO.	DESCRIPTION	DRAWN	DATE